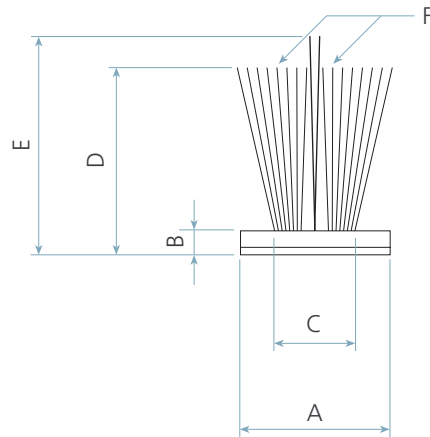


# Fin-Seal



## Technical specification

- A Base width –  
3 - 4,8 mm in steps of 0,05 mm; tolerance: +0,05 / -0,2 mm  
4,85 - 180 mm in steps of 0,05 mm; tolerance: +0,05 / -0,25 mm
- B Backing thickness – 0,8 ± 0,15 mm
- C Pile base width – 2,6 +/- 0,3 mm
- D Pile height –  
3 - 6,25 mm in steps of 0,25 mm; tolerance +0,25 / -0,15 mm  
6,5 - 30 mm in steps of 0,25 mm; tolerance +4 % / -2,50 %
- E Fin height –  
FP: Regular fin –  
for 0-11 mm pile height – fin height +0,25 ± 0,2 mm of pile height  
for 11-15 mm pile height – fin height +0,25 ± 0,75 mm of pile height  
for 15+ mm pile height – fin height +0,25 ± 1 mm of pile height  
CF: Cut fin –  
for 0-11 mm pile height – fin height +0,25 ± 0,2 mm of pile height  
for 11-15 mm pile height – fin height +0,25 ± 0,75 mm of pile height  
for 15+ mm pile height – fin height +0,25 ± 1 mm of pile height  
HF: High fin –  
fin could exceed the pile height with +0,25 to +1, +2, +3, +4, +5 mm
- F Number of piles –  
3P: 2P + Fin + 1P / 4P: 2P + Fin + 2P /  
5P: 3P + Fin + 2P / 6P: 3P + Fin + 3P

## Pile colours

- Grey – RAL 7045  
Black – RAL 9005  
Beige – RAL 1011  
White – RAL 9003  
Brown – RAL 8028  
Dark beige – RAL 8008  
Dark gold – RAL 1032  
Ivory – RAL 1015  
Quartz grey – RAL 7039  
Jet black – RAL 9005  
Sepia brown – RAL 8014  
Pale brown – RAL 8025

## Schlegel Acquisition Holdings Limited trading as Schlegel International

Unit 25, Henlow Industrial Estate, Henlow Camp, Bedfordshire, SG16 6DS United Kingdom

All dimensions are in mm and are nominal. Schlegel reserve the right to change specification without prior notice.

Schlegel's names and logos and all related trademarks (including 'SCHLEGEL', 'SCHLEGEL Red Square Logo' and 'Red Square Logo'), trade names, and other intellectual property are the property of Schlegel Acquisition Holdings Limited trading as Schlegel International and cannot be used without its express prior written permission. All rights reserved.

© Schlegel Acquisition Holdings Limited trading as Schlegel International 2013.